

# PTZ Speed Dome

**Auto Iris Interchangeable Lens**

- Built-in 1/3" SONY CCD Color Camera W/ 4mm Auto IRIS Lens
- Housing & Bracket Incl'd
- 16 Programmable Presets
- Innovative Design
- IP Controllable(RS485)
- **PELCO-D** Compatible
- Indoor/Outdoor
- Low Cost

**SONY**  
CCD Camera

**LOW COST**

**CD66**



- Optional 2.5~16mm Auto IRIS Lens
- Auto Back Light Compensation
- Auto White Balance
- Multiprotocol
- **PELCO-D** PELCO-P/4800 PELCO-P/9600 Compatible

**Optional**



**AU40E**

**Keyboard Controller**



**RS232-485**

## **Built-in Receiver:**

- Complete Digital Control with integrated CPU and SDRAM
- Integration and High Durability
- 16 Programmable Presets
- RS485 Communication Data, Dome Address 0-511
- Supports Auto Tour and Pattern

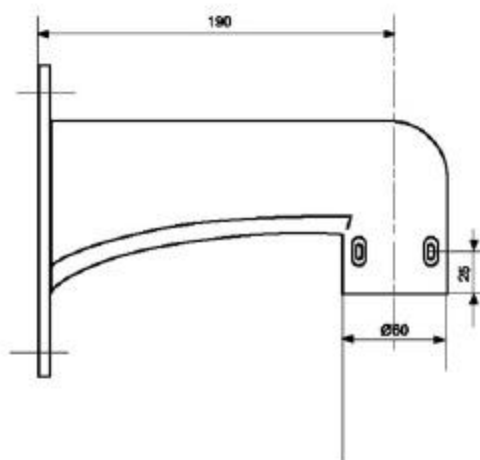
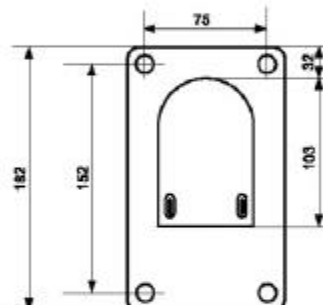
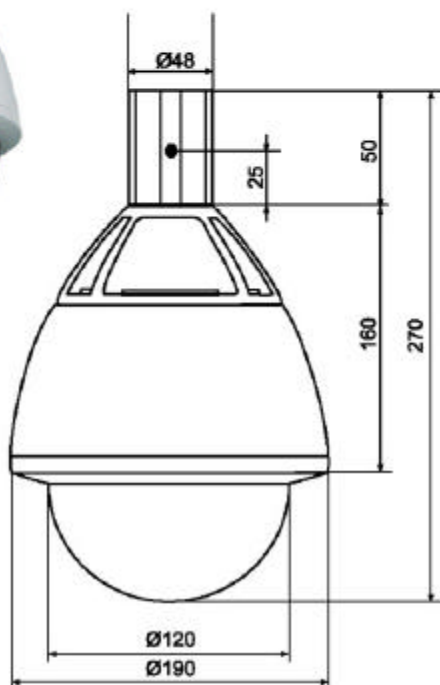
## **Pan/Tilt Drive:**

- Innovative Design of the Structure Minimizes the Outline Shape and Dimensions
- Precision Drive Positioning System Ensures a 0~355° Pan Rotation.
- Tilt Rotation Range 0-90°.

Pictures and specifications are subject to change without notice. All trademarks belong to their respected owners.

# CD66

## 360° Endless Rotation Speed Dome



### Technical Data

### Standard Settings

Effective Pixels	500(H) x 582(V)
Scanning Area	3.6mm(H) x 2.71mm(V); 1/4inch
Video Output	1.0Vp-p
Horizontal Resolution	More than 420TVL
S/N Ratio	≥ 48dB
Minimum Illumination	1Lux
Iris	Auto
Focal Length	f4mm
White Balance	Auto
Panning Range	0° ~ 355°
Pan Speed	0.45~45° /sec
Tilt Range	0~90°
Tilt Speed	0.45~45° /sec
Communication	RS485
Controls	Pan/Tilt; 16 Preset Positions
Auto Pan	ON/OFF
Auto Tracking Mode	ON/OFF; 1 Cruising Tracks
Power Source	AC24V
Operating Temperature	-30~50°C
Dimensions	Ø150x270mm (H)
Weight	Approx. 2.5KGS

